


KZX-1250 DIESEL GENERATOR SET / 50Hz

GENERATOR RATES

Service		Standby	Prime
Power	kVA	1250	1136
Power	kW	1000	909
Speed	r.p.m	1500	
Standart Voltage	V	400 / 230	
Power Factor	Cos Phi	0,8	

KZPOWER has ISO 9001, ISO 14001 and OHSAS 18001 quality certifications.

KZPOWER gensets are compliant with EC mark which includes the following directives:

- 2006/42/CE Machinery safety.
- 2014/30/UE Electromagnetic compatibility.
- 2014/35/UE electrical equipment designed for use within certain voltage limits
- 2000/14/EC Sound Power level. Noise emissions outdoor equipment. (amended by 2005/88/EC)
- 97/68/EC Emissions of gaseous and particulate pollutants. (amended by 2002/88/EC & 2004/26/EC)
- EN 12100, EN 13857, EN 60204

Ambient conditions of reference according to ISO 8528-1:2005 normative: 1000 mbar, 25°C, 30% relative humidity.

G2 class load acceptance in accordance with ISO 8528-5:2013



SPECIFICATIONS 50HZ / 1.500 rpm

Engine	Specifications	
Rated Output	kW	1090
Manufacturer		XENIC
Model		TAD3343GE
Engine Type		4 Stroke - Diesel
Injection Type		Direct Injection
Aspiration Type		Turbocharged
Number of cylinders and arrangement		In line
Bore and Stroke	mm	138 / 168
Displacement	L	33
Cooling System		WATER + %50 Antifreezeze
Lube Oil Specifications		ACEA E3,E4,E5 (15W-40)
Compression Ratio		17.5: 1
Fuel Consumption Standby (110%)	l/h	240,68
Fuel Consumption 100% PRP	l/h	209,29
Fuel Consumption 75 % PRP	l/h	167,43
Fuel Consumption 50 % PRP	l/h	115,11
Lube oil consumption with full load		<0,5
Total oil capacity including tubes, filters	L	61
Total coolant capacity	L	195
Governor	Type	Electronic
Air Filter	Type	Dry

Standard Generator Features

- Heavy duty water cooled diesel engine and brushless alternator
- Solid steel base frame with minimum 8 hours base tank and anti-vibration mountings
- AMF Control panel with digital-automatic main control module
- 50c Tropical radiator
- Battery charge redressor. Lead acid battery
- Residential type silencer
- Flexible exhaust compensator
- Block water heater unit
- All rotating parts are covered by metal mesh against damages
- Engine and alternator manufacturer test reports (if provided)
- Factory load, performance and function tests
- User Manual, Electrical Drawing and Gurantee certificate

Alternator	Specifications	
Manufacturer		GENTECH
Model		GNT-1250
Poles		4
Connection type (standard)	No.	Star
Total Harmonic Content		< %2
Insulation		H Class
Enclosure (according IEC-34-5)	Class	IP 21/23
Exciter system		Self-excited, brushless
Voltage regulator		A.V.R (Electronic)
Bracket type		Single Bearing
Coupling system		Flexible disc
Efficiency (%)		%94
Voltage Output (VAC)		230 / 400
Frequency (Hz)		50

Prime Power (PRP):

According to ISO 8528-1:2005, Prime power is the maximum power which a generating set is capable of delivering continuously whilst supplying a variable electrical load when operated for an unlimited number of hours per year under the agreed operating conditions with the maintenance intervals and procedures being carried out as prescribed by the manufacturer. The permissible average power output (Ppp) over 24 h of operation shall not exceed 70 % of the PRP.

Emergency Standby Power (ESP):

According to ISO 8528-1:2005, Emergency standby power is the maximum power available during a variable electrical power sequence, under the stated operating conditions, for which a generating set is capable of delivering in the event of a utility power outage or under test conditions for up to 200 h of operation per year with the maintenance intervals and procedures being carried out as prescribed by the manufacturers. The permissible average power output over 24 h of operation shall not exceed 70 % of the ESP.

Note:

All data based on operation to ISO 3046/1, BS 5514 and DIN 6271 standard reference conditions.



TR-QC-EC-3238



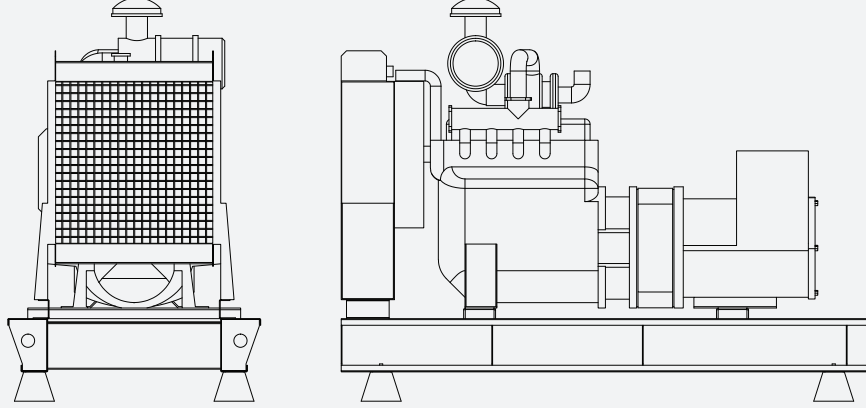
TR-QC-EC-3238



TR-SC-3238

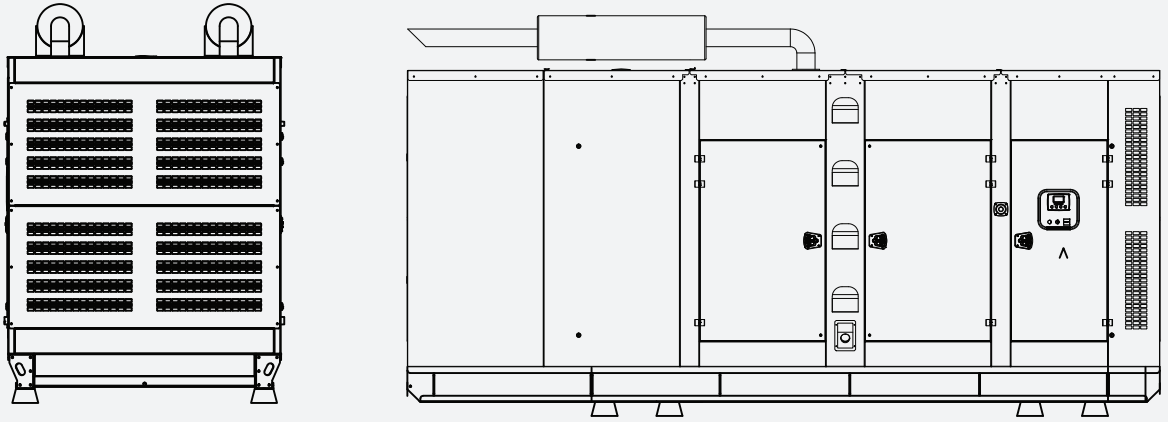

 Çevre Yönetim Sistemi
 TS EN ISO/IEC 14001
 TR-SC-3238


DIMENSIONS



OPEN SET

WxLxH	mm	2100x4650x2550
Weight	kg	9608
Fuel Tank	lt	1800



CANOPIED

WxLxH	mm	2430x6050x2600
Weight	kg	11358
Fuel Tank	lt	1800

Sound Proof Canopy Specifications

- Special design for minimizing acoustic level
- Galvanized steel construction further protected by polyester powder coat paint
- Black finish stainless steel locks and hinges
- Control panel viewing window in a lockable access door
- Emergency stop push button (red) mounted on enclosure exterior
- Lifting, drag and jacking points on base frame
- Radiator fill via removable, flush mounted rain cap fitted with compression seal



CONTROL UNIT

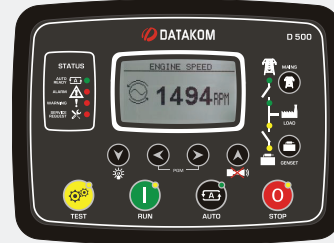
STANDARD



D300 - DATAKOM

4-band GPRS modem (optional)
USB Device
RS-232 (2400-57600baud)
J1939-CANBUS
Geo-locating through GSM
GPS support (RS-232)
Internet Central Monitoring
SMS message sending
E-mail sending
Free PC software: Rainbow Plus
Modbus RTU

OPTIONAL



D500 - DATAKOM

Ethernet (10/100Mb)	Internet Central Monitoring
4-band GPRS modem (optional)	SMS message sending
USB Host & USB Device	E-mail sending
RS-485 (2400-115200baud)	Free PC software: Rainbow Plus
RS-232 (2400-115200baud)	Modbus RTU & Modbus TCP/IP
Micro SD card slot	SNMP (with TRAP messages)
J1939-CANBUS	SNTP
Geo-locating through GSM	
GPS support (USB & RS-232)	
Embedded web server	
Web monitoring & programming	

ATS PANEL



KZ Power transfer switches are ideal for emergency, standby power applications. The KZ Power transfer switch is available in several different control configurations to meet the requirements of your load transfer application.

KZ POWER's contactor based transfer switch is rated 40–3600A and can be supplied in separate enclosure for stand-alone applications or can be supplied as an integral component. Contactors inside the ATS panels are well known and internationally recognized brands such as ABB, LS/LG, SCHNEIDER, GE and ANDELI.



OPTIONAL EQUIPMENTS

Some of our Optional Equipments which can be provided with Generator Sets But not limited to;

- Medium voltage alternator
- Remote radiator applications
- External fuel tanks. Automatic and Manuel fuel filling system from external fuel tanks
- Fuel tank heater, oil pan heater, Anti-condensation heater
- Alternator with PMG (Permanent Magnet Generator)
- Synchronization systems
- Double Walled Fuel Tanks
- Container type canopy
- Lube oil and fuel drain pumps
- Trailer
- Remote monitoring options on the control panel
- Electronic fuel level indicator

